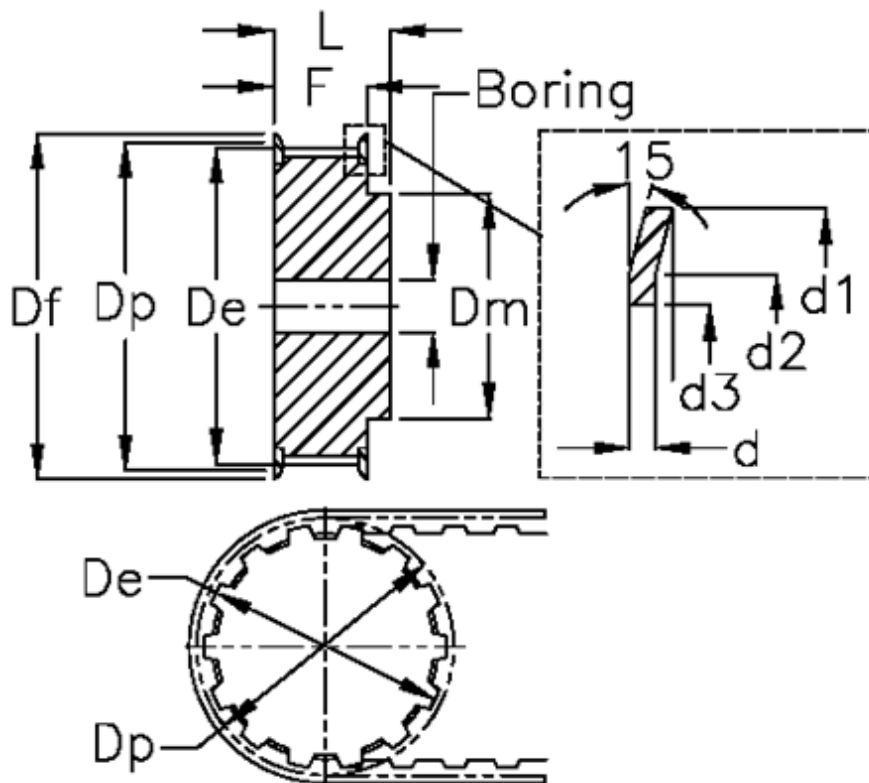


Article number: 604146022037

Description: Timing belt pulley with hub  
22 XL 037

## Measures



d = 1	F = 14.3	Width = XL 037
d1 = 42	Flange type = F15	
d2 = 38	L = 22.2	
d3 = 30.5	Max bore = 19.1	
De = 35.07	Pitch = 1/5"	
Df = 41	Pre-drilled = 6	
Dm = 25.4	Tooth number = 22	
Dp = 35.57	Weight = 0.10	